

Double DishDrawer™ Dishwasher

Series 7 | Contemporary

Stainless Steel

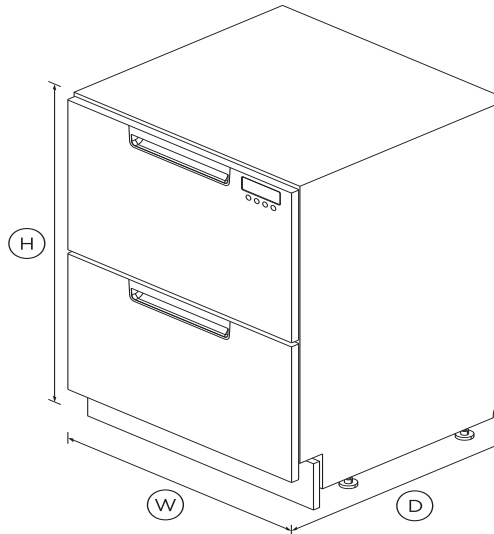


With a contemporary stainless steel finish, each drawer washes independently and fits a half load, so you can run one while you load the other.

- Six wash programs to suit any load, from Delicate to Heavy
- American Disabilities Act (ADA) compliant, this Double DishDrawer™ sits at an accessible height

DIMENSIONS

Height	32 5/16- 34 5/8"
Width	23 9/16"
Depth	22 9/16"



FEATURES & BENEFITS

EASE OF USE

DishDrawer™ Dishwashers are as easy to open and close as kitchen drawers and can be conveniently positioned at bench height for ease of loading and minimal bending.

INDEPENDENT WASH

With the ability to use both drawers independently and select different wash programs the DishDrawer™ Dishwasher can wash everything from fine glass and crystal to heavily soiled pots and pans.

TRUE HALF LOAD

Each drawer holds a true half load for guilt-free small washes and fast turnaround of your dishes. Both drawers operate independently so different wash cycles can run simultaneously to accommodate a variety of loads.

EASY TO LOAD

Running at a very low decibel rating, these DishDrawer™ Dishwashers do their job without making a fuss. The combination of intelligent technology and simple mechanics means greater reliability and excellent wash performance.

SPECIFICATIONS

Accessories

- Cutlery basket
- Kickstrip

Capacity and loading

Accommodates round plates	11" (top drawer) 11" (bottom)
Fixed height, foldable cupracks	•
Fold down tines	•
Place settings	14
Place settings per drawer	7

Consumption

Energy usage	265kWh/year
Water usage (per wash cycle)	3.44 gal running both tubs

Controls

- Electronic fault/Diagnostic
- End of cycle beeps
- Energy saving delay start

- Rinse aid indicator light •
- Wi-Fi connectivity •

Features

- Fan assisted drying •
- Flood protection •
- Flow through detergent •
- Motor type **BLDC**
- Quiet operation •
- SmartDrive™ technology •

Performance

Noise on standard cycle top **43dBA**

Power requirements

Amperage **10A**
 Electric circuit **3 wire**
 Rated current **15A**
 Supply frequency **60Hz**
 Supply voltage **100 - 120V**

Product dimensions

Depth **22 9/16"**
 Height **32 5/16- 34 5/8"**
 Width **23 9/16"**

Safety and compliance

- ADA compliant •

Warranty

Parts and labor **Limited 2 years**

Wash Programs

- Delicate •
- Fast •
- Heavy •
- Medium •
- Normal eco •
- Rinse •
- Wash programs **6**

Water connection

- Supplied hose to suit 3/8" •
- Water pressure **30kPa - 1000 kPa**
- Water supply **3/8" to suit Male Compression**

SKU **82328**

The product dimensions and specifications in this page apply to the specific product and model. Under our policy of continuous improvement, these dimensions and specifications may change at any time. You should therefore check with Fisher & Paykel's Customer Care Centre to ensure this page correctly describes the model currently available. ? Fisher & Paykel Appliances Ltd 2020

Other product downloads available at fisherpaykel.com

- [↓](#) Quick Start Guide
- [↓](#) Service & Warranty
- [↓](#) Energy Label Double DishDrawer™ Dishwasher
- [↓](#) User Guide DishDrawer™ Dishwasher
- [↓](#) Installation Guide Double DishDrawer™ Dishwasher
- [↓](#) Installation Guide Double DishDrawer™ Dishwasher
- [↓](#) Specification Guide Double DishDrawer™ Dishwasher
- [↓](#) Data Sheet Double DishDrawer™ Dishwasher



A PEACE OF MIND SALE

24 Hours 7 Days a Week Customer Support

T 1.888.936.7872 Wwww.fisherpaykel.com